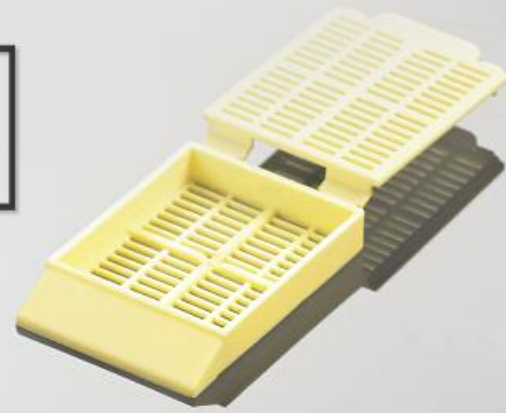


Simport[®]

Canadian and Family Owned Since 1975

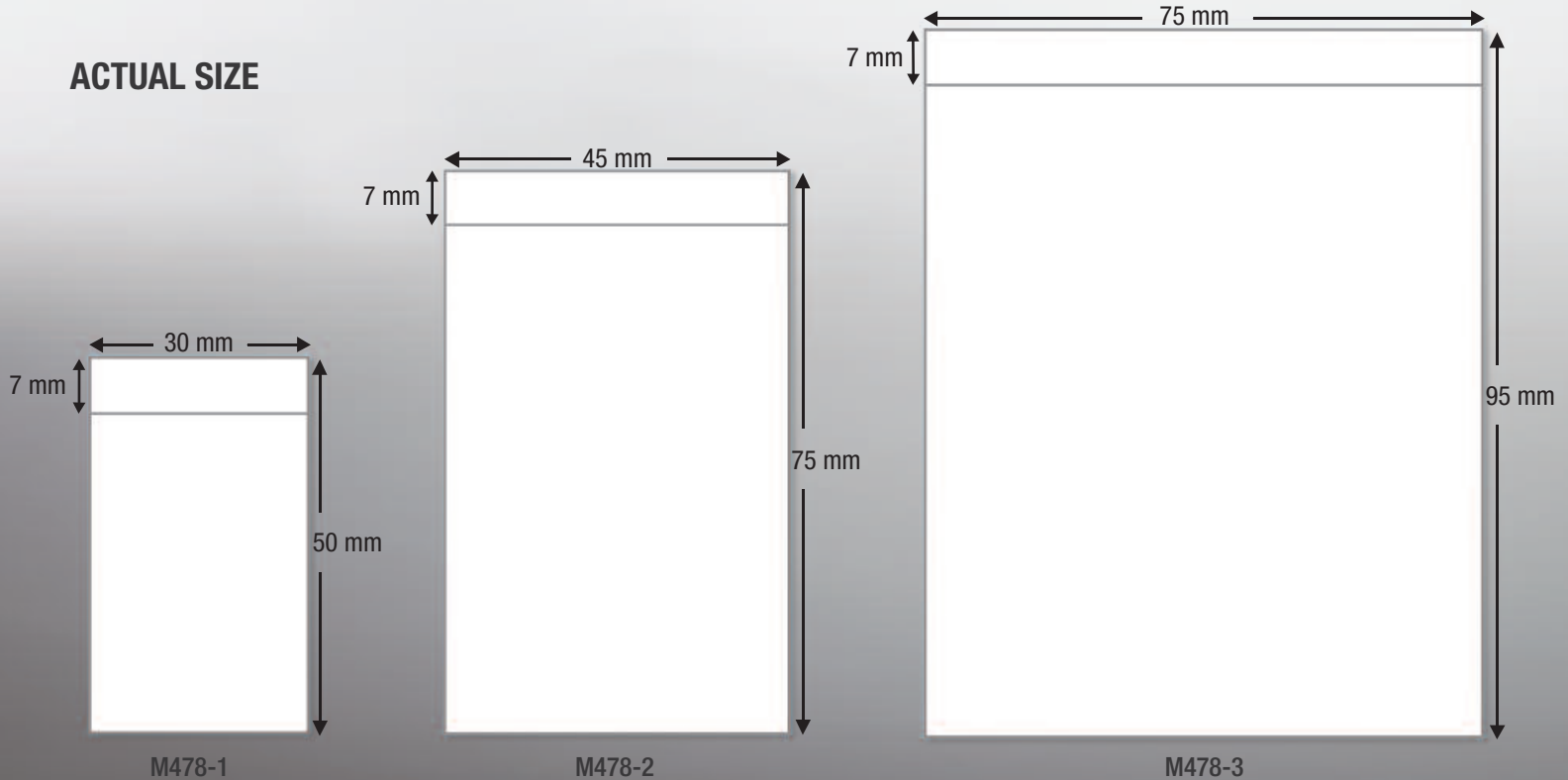
SeeThru Biopsy Bags

*A safe and Convenient way to Protect
your Sample during Processing*



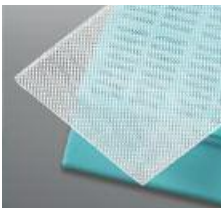
www.simport.com

ACTUAL SIZE



Made of nylon

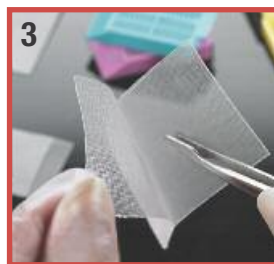
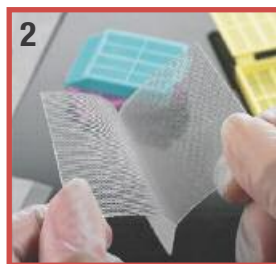
These sturdy biopsy bags are made of white nylon thin mesh (0.2 mm diameter), reducing the risk of specimen loss during processing. While solvent resistant, they provide great tissue safety and excellent fluid exchange. In order to ease specimen removal, bags can be peeled open. All seams are heat-sealed. Available in three sizes.



While providing maximum tissue safety, you can conveniently see through the biopsy bags.

Cat. #	Dimensions	Qty/Bag
M478-1	30 x 50 mm	1000
M478-2	45 x 75 mm	1000
M478-3	75 x 95 mm	500

Method of use



1. Transfer the biopsy in the bag with a pair of forceps OR empty both fixative and specimen in the bag. Let the fixative drip out of the bag in a container, close the bag and insert in a cassette.
2. After processing, remove bag from cassette. Open with care, extending the edges.
3. Extract biopsy and proceed with your embedding.

Simport[®]
Scientific

2588 Bernard-Pilon
Beloeil, Qc J3G 4S5 Canada

Phone: (450) 464-1723

Fax: (450) 464-3394

Email: info@simport.com

Website: www.simport.com

Distributed by: