

*Simport*

# The **TAMPERPROOF** **MICREWLOCK™** Family

If you **TRULY** care about your sample, let us help you **PROTECT** its integrity!



**Simport**®

Since 1975

*Scientific inc.*

*A family owned  Canadian company*

[simport.com](http://simport.com)

# For your peace of mind A new era in sample protection

Made of polypropylene

At last, a TAMPER EVIDENT microcentrifuge tube incorporating all the features and benefits of the Simport® MICREWETUBE® Family. Ideal for all applications requiring a tamper evident seal, a Simport® tamperproof MICREWETUBE® also has a multitude of benefits when used in your lab. It is ideal for freezer storage, boiling applications, centrifugation etc... and will fit most standard microcentrifuge rotors.

Simply screw the cap on the tube and the tamper evident sealing ring is automatically in place. When unscrewed, the ring is detached from the tube and remains in its position, showing clearly that the tube was opened. The washer is secured in the cap and ensures a positive leakproof seal, time after time, keeping the integrity of small samples under even the most adverse conditions.

The Tamper Evident Micrewetube® is available in various sterile and non sterile configurations. The tubes are available non-printed or printed with graduations and white marking area for sample identification. Conical bottom tubes can be centrifuged up to 20,000g. Sterile tubes are gamma irradiated packaged in tamperproof resealable bags to protect remaining tubes from contamination. Tubes and caps are also available separately.



## T340TP

### Tamper Evident Screw Cap with Washer Seal & Flat Top

Made of polypropylene

The cap is molded with a deep internal lip that fits snugly against the interior wall of the tube. It will prevent the contents from coming in contact with the seal or threads, thereby reducing the chances of sample contamination. The cap's high profile facilitates manipulation especially in aseptic procedures.

| Cat. #      | Color*  | Qty/Pk |
|-------------|---------|--------|
| T340NOSFTTP | Natural | 1000   |

The following colors are available on special order: blue, green, lilac, red, yellow, and white. Please contact a customer service representative for further details.



## How does it work ?



Screw Tamper Evident cap on tube until locking ring clicks over serrated tube neck.



Contents are now protected until Tamper Evident cap is removed.



When unscrewing the cap, the Tamper Evident locking ring is detached and freed from closure.



View of separate components of a Tamper Evident Micrewetube® after use.

# The Simport® Tamper Evident Microwlock™ Family



## T341TP

Tamper Evident Microwtube® (tube only)

Made of polypropylene

These tubes are specially made to be used with tamperproof caps. Available in plain or graduated configuration, the latter being provided with a white marking area for sample identification. Can be used at extreme temperatures from -196° C to +121° C. Maximum centrifugation RCF: 20,000 g. (conical bottom tubes only) Dimensions: 44 mm H x 11 mm dia.



| Plain Cat. # | Graduated Cat. # | Style          | Volume (ml) | Qty/Pk |
|--------------|------------------|----------------|-------------|--------|
| T341-2TTP    | T341-2TPRTP      | Self-standing  | 0.5         | 1000   |
| T341-4TTP    | T341-4TPRTP      | Self-standing  | 1.5         | 1000   |
| T341-5TTP    | T341-5TPRTP      | Conical bottom | 1.5         | 1000   |
| T341-6TTP    | T341-6TPRTP      | Self-standing  | 2.0         | 1000   |
| T341-7TTP    | T341-7TPRTP      | Conical bottom | 2.0         | 1000   |



For applications needing the utmost security where sample integrity is of high importance

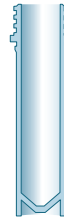


### Self-standing 0.5 ml

**T335-2TP** Cap not assembled Tube not graduated  
Non sterile

**T335-2STP** Caps slightly screwed on Tube not graduated  
Sterile

**T335-2SPRTP** Caps slightly screwed on Tube has white marking area and graduations  
Sterile



### Self-standing 2.0 ml

**T335-6TP** Cap not assembled Tube not graduated  
Non sterile

**T335-6STP** Caps slightly screwed on Tube not graduated  
Sterile

**T335-6SPRTP** Caps slightly screwed on Tube has white marking area and graduations  
Sterile

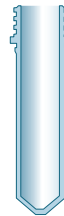


### Self-standing 1.5 ml

**T335-4TP** Cap not assembled Tube not graduated  
Non sterile

**T335-4STP** Caps slightly screwed on Tube not graduated  
Sterile

**T335-4SPRTP** Caps slightly screwed on Tube has white marking area and graduations  
Sterile



### Conical bottom 2.0 ml

**T335-7TP** Cap not assembled Tube not graduated  
Non sterile

**T335-7STP** Caps slightly screwed on Tube not graduated  
Sterile

**T335-7SPRTP** Caps slightly screwed on Tube has white marking area and graduations  
Sterile

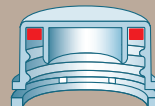


### Conical bottom 1.5 ml

**T335-5TP** Cap not assembled Tube not graduated  
Non sterile

**T335-5STP** Caps slightly screwed on Tube not graduated  
Sterile

**T335-5SPRTP** Caps slightly screwed on Tube has white marking area and graduations  
Sterile



Tamperproof Screw Cap  
with washer seal  
and flat top

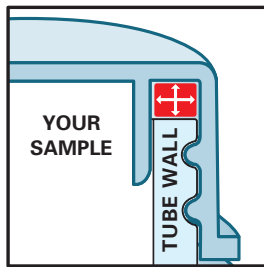
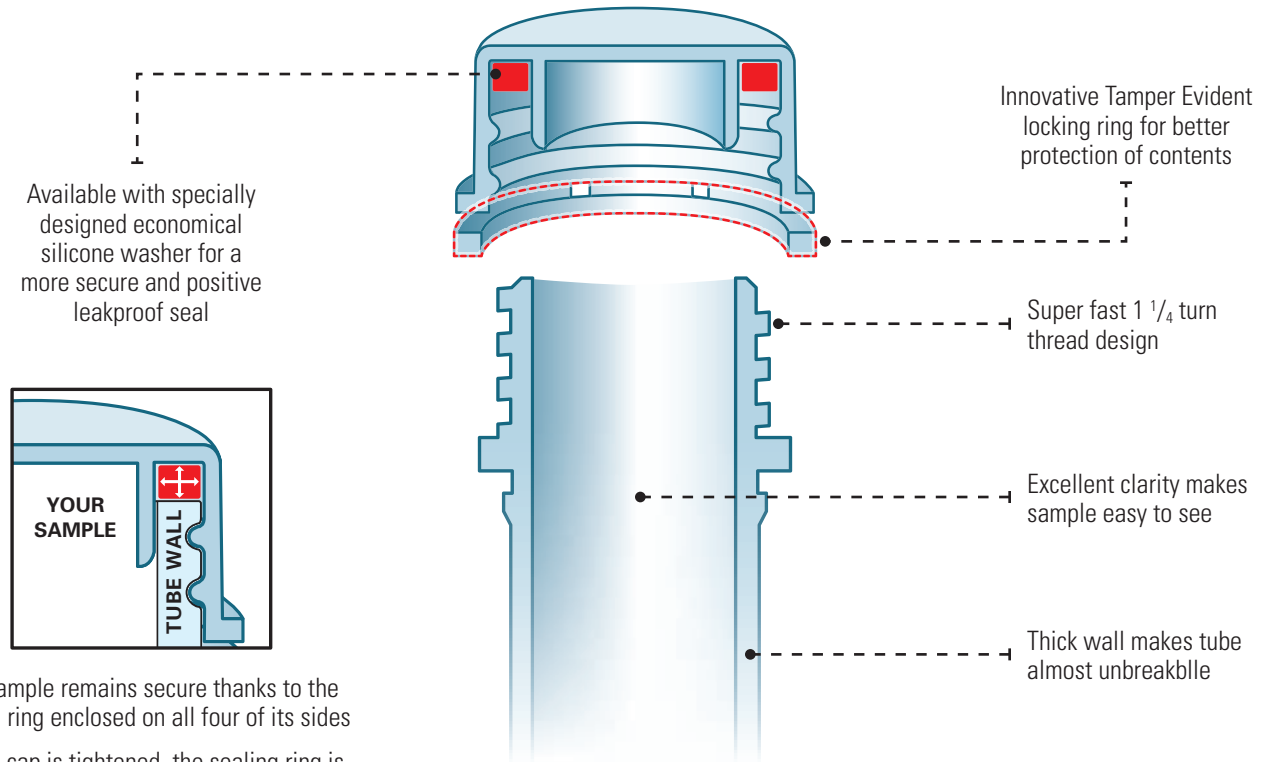
### PACKAGING INFORMATION

|                    | Qty/Pk | Qty/Pk |
|--------------------|--------|--------|
| <b>NON STERILE</b> | —      | 1000   |
| <b>STERILE</b>     | 50     | 1000   |

# Anatomy of a Tamper Evident Micrewtube™

If you **TRULY** care about your sample, let us help you **PROTECT** its integrity!

Cap and tube are made of autoclavable polypropylene



The sample remains secure thanks to the sealing ring enclosed on all four of its sides

As the cap is tightened, the sealing ring is compressed and tries to find a gap to move into

## Use:

- As a safer transport tube
- For secure short and long term storage
- As a tamper evident cryogenic vial
- In clinical trials
- As a tube containing expensive reagents in diagnostic kits

All microcentrifuge tubes in the MicrewLock™ Family have a super clear highly polished surface for better viewing of contents



Available with or without graduations and oversized marking area

**95 kPa  
TESTED**

Tubes and caps in the Micrewtube Family are certified RNase, DNase, DNA and Pyrogen free.

Microwlock is a trademark of Simport® Scientific.  
Micrewtube is a registered trademark of Simport® Scientific.